



LyriQ Multi-Room Audio System in the Studio Design



Attractive flush mount inputs simplify installation and minimize clutter.

Whole house control is available via universal remote or any keypad at the touch of a button.



Contemporary Studio Design blends with any decor and complements Selective Call Intercom System.

Installation based on Cat 5 wiring is easy and efficient.

AU5544-WH
LyriQ Multi-Source, 4-Zone Kit in Studio Design

INNOVATIVE TECHNOLOGY

WHOLE HOUSE CONTROL

Now available directly from any keypad or from the universal remote, whole house control enables volume adjustment and source selection for the whole house system.

LOCAL SOURCE SELECTION

LyriQ in the Studio Design allows users to directly select local source music from the keypad, and it supports up to two local source inputs per zone.

EFFICIENT INSTALLATION

Based on Cat 5 cabling, the LyriQ Audio System includes easy installation features such as convenient RJ45 connections.



LyriQ Keypad (AU5009-XX)

SYSTEM FEATURES

- Up to four sources per multi-source system
- Up to eight zones per multi-source system, with ability to expand
- Whole house control via universal remote and keypad
- High performance and standard systems
- Up to two local source inputs per keypad
- Local source selectable via keypads
- Elegant, contemporary design
- Efficient installation via Cat 5 wiring

on·Q

legrand®

www.onlegrand.com



lyriQ Multi-Room Audio System in the Studio Design

AUDIO KITS



AU5646-WH
lyriQ High Performance
Multi-Source, 6-Zone Kit in
Studio Design



AU5644-WH
lyriQ High Performance
Multi-Source, 4-Zone Kit in
Studio Design



AU5544-WH
lyriQ Multi-Source, 4-Zone Kit
in Studio Design

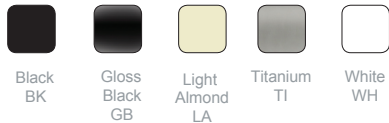


AU5514-WH
lyriQ Single-Source, 4-Zone Kit
in Studio Design

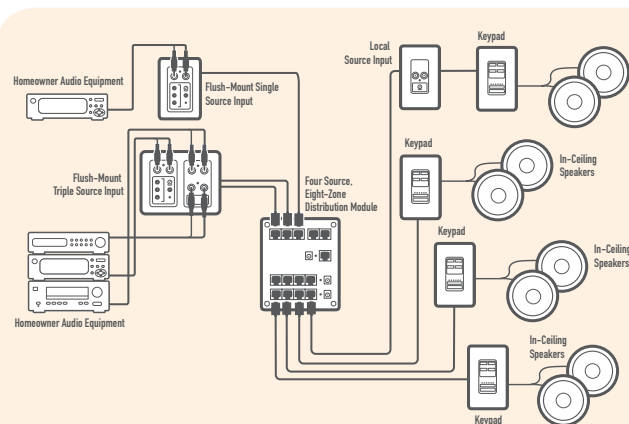
ADDITIONAL PRODUCTS

PRODUCT	PART #	COLOR
lyriQ Local Source Input	AU5008-XX	Gloss Black, Light Almond, Titanium, White
lyriQ Keypad	AU5009-XX	Gloss Black, Light Almond, Titanium, White
lyriQ High Performance Keypad	AU5010-XX	Gloss Black, Light Almond, Titanium, White
lyriQ Flush Mount Triple Source Input	AU1011-XX	Black, Light Almond, White
lyriQ Flush Mount Single Source Input	AU1004	Black, Light Almond, White
lyriQ Four Source, 8-Zone Distribution Module	AU1002	N/A
lyriQ Single Source, 4-Zone Distribution Module	AU7396	N/A
lyriQ Triple Source Input	F7428	N/A
lyriQ Single Source Input	F7398	N/A

COLORS



WIRING DIAGRAM



INSTALLATION AT-A-GLANCE: lyriQ MULTI-SOURCE AUDIO SYSTEM*

1. Run a single Cat 5 cable and speaker wire to each location where a keypad will be installed.
2. Install each keypad in a standard single gang box and connect a pair of speakers to the keypad.
3. Install the multi-source distribution module in the On-Q enclosure and connect it to the keypads.
4. Run a Cat 5 cable from the module to each location where a flush-mount source input will be installed.
5. Install the flush mount inputs in standard single or double gang boxes and connect the Cat 5.
6. Connect the source to the input.

* Please note that this diagram does not represent a high performance lyriQ system. Diagrams for lyriQ High Performance Audio Systems can be found in our Product Catalog.

301 Fulling Mill Road, Suite G
Middletown, PA 17057
(800) 321-2343

www.onqlegrand.com

©2008 by On-Q/Legrand. All Rights Reserved.

on·Q

legrand®

www.onqlegrand.com